

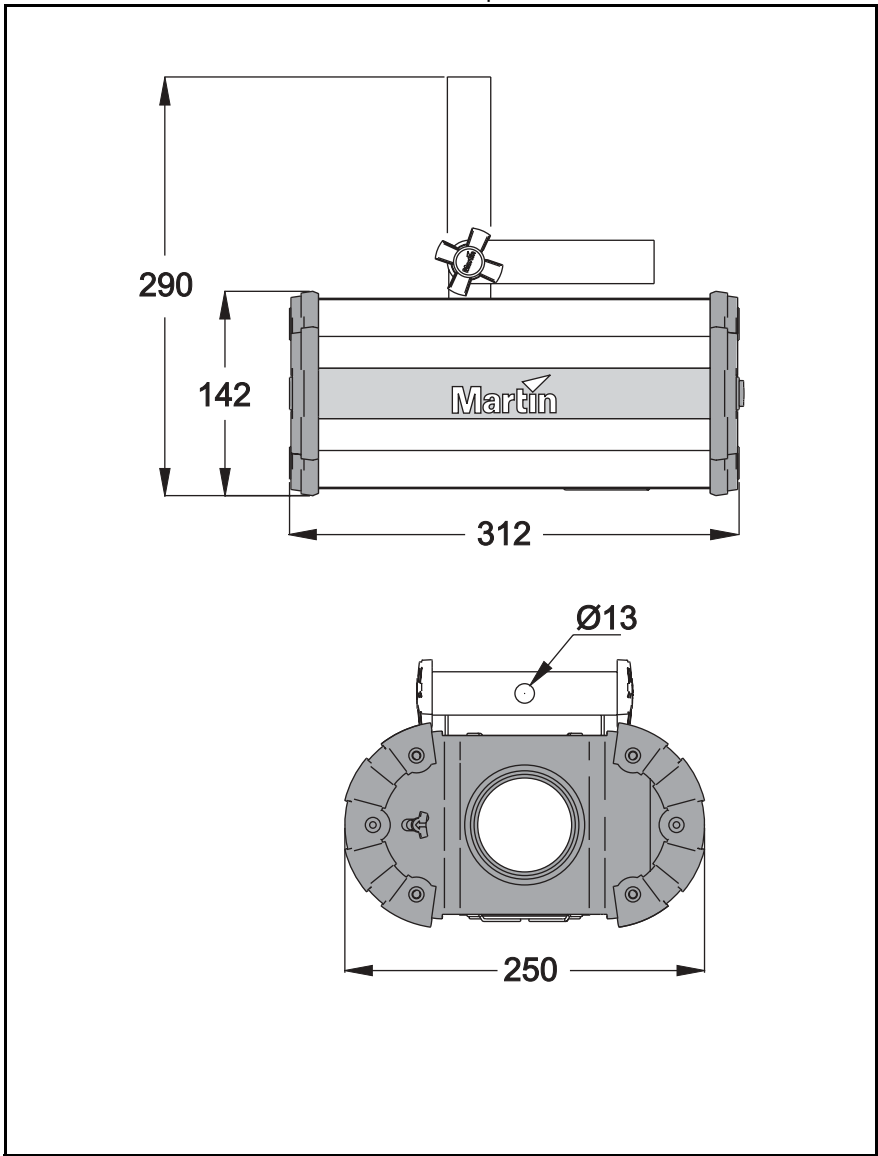
Mania EF1

user manual



Martin

Measurements are expressed in millimeters.



© 2003 Martin Professional A/S, Denmark.

All rights reserved. No part of this manual may be reproduced, in any form or by any means, without permission in writing from Martin Professional A/S, Denmark.

Printed in China.

P/N 35000125, Rev. C.

| | |
|----------------------------------|-----------|
| Introduction | 4 |
| Safety information | 4 |
| Unpacking | 6 |
| Mania EF1 overview | 6 |
| Installation | 7 |
| AC power | 7 |
| Overhead mounting | 8 |
| Operation | 10 |
| Setting the trig mode | 10 |
| Changing the selected gobo | 11 |
| Focusing the Mania EF1 | 12 |
| Basic service | 13 |
| Cleaning | 13 |
| Lamp maintenance | 14 |
| Mains fuse | 16 |
| Troubleshooting | 18 |
| Specifications | 19 |

INTRODUCTION

1

Thank you for selecting a Martin Mania EF1. The Mania EF1 is a pre-programmed, music-activated, DJ effect with a rotating mirrored reflector and a range of selectable projection shapes (gobos).

SAFETY INFORMATION

Warning! *This product is not for household use. It presents risks of lethal or severe injury due to fire and heat, electric shock, and falls.*

Read this manual before powering or installing the fixture, follow the safety precautions listed below and observe all warnings in this manual and printed on the fixture. If you have questions about how to operate the fixture safely, please contact a Martin distributor for assistance. Refer any service operation not described in this manual to a qualified technician. Do not modify the fixture or install other than genuine Martin accessories and upgrade kits.

Refer servicing to qualified personnel.

Maximum ambient temperature $T_a = 40^{\circ}\text{C}(104^{\circ}\text{F})$.

See serial label for replacement fuse size and lamp type.

Suitable for mounting on normally flammable surfaces.

Do not look directly into the light.

Risk of fire, electrical shock and burns.

Use only in dry locations.

For indoors use only.

Do NOT block exhaust vents.

Shields, lenses or ultraviolet screens shall be changed if they become visibly damaged to the extent that their effectiveness is impaired, for example, by cracks or deep scratches.

The lamp shall be changed if it becomes damaged or thermally deformed.

If the external power cord of this luminaire is damaged, it shall be replaced by a special cord exclusively available from your Martin dealer.

Avoiding electric shocks

Warning *Always disconnect from mains power before replacing the lamp, fuses, or any part, and when not in use.*

- Before operation ensure that factory setting of voltage and frequency match local power supply.
- Always ground (earth) the fixture electrically.
- Use only a source of AC power that complies with local building and electrical codes and has both overload and ground-fault protection.
- Do not expose the fixture to rain or moisture.
- Never operate the fixture with missing or damaged lenses and/or covers.
-

Protecting yourself and others from burns and fire

Warning *Hot lamp. The exterior of the fixture can become hot. Allow to cool for at least 20 minutes before handling or opening.*

- Surface temperature under steady state condition = 100°C (212° F).
- Minimum distance to flammable material = 0.3 m (1 ft).
- Minimum distance to illuminated surface 1.0 m (3.3 ft).
- Never attempt to bypass the thermostatic switch or fuses. Always replace defective fuses with ones of the specified type and rating.
- Ensure that the air flow through vents is free and unobstructed.
- Provide a minimum clearance of 0.1 meters (4 inches) around air vents.
- Never place filters or other materials over the lens or in the optical path.
- The exterior of the fixture can become hot. Allow the fixture to cool for at least 20 minutes before handling.
- Do not operate the fixture if the ambient temperature (T_a) exceeds 40° C (104° F).
- Do not stare directly into the light.
- Never operate the fixture without all lenses and covers installed: an unshielded lamp emits dangerous UV radiation that can cause burns and eye damage.

Preventing injuries due to falls

- When suspending the fixture above ground level, verify that the structure can hold at least 10 times the weight of all installed devices.

- Verify that all external covers and rigging hardware are securely fastened and use an approved means of secondary attachment such as a safety cable.
- Block access below the work area whenever installing or removing the fixture.

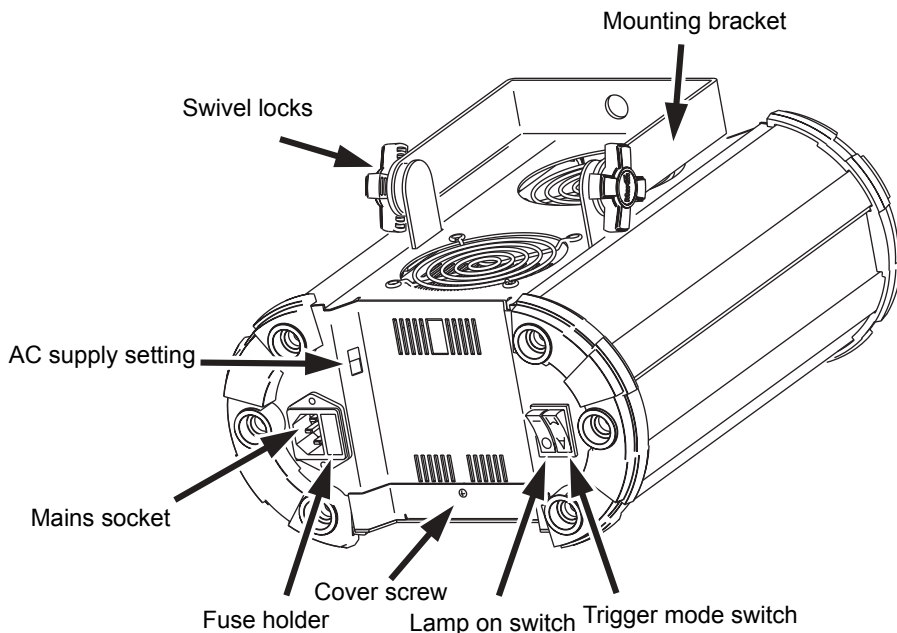
UNPACKING

The packing material is carefully designed to protect the fixture during shipment - always use it to transport the fixture.

The Mania EF1 comes with the following:

- 3-wire IEC power cable
- User manual

MANIA EF1 OVERVIEW



INSTALLATION

2

AC POWER

Before operation ensure that factory setting of voltage and frequency match local power supply.

Always ground (earth) the fixture electrically.

Use only a source of AC power that complies with local building and electrical codes and has both overload and ground-fault protection.

Note: *If the external power cord of this luminaire is damaged, it shall be replaced by a special cord exclusively available from your Martin dealer.*

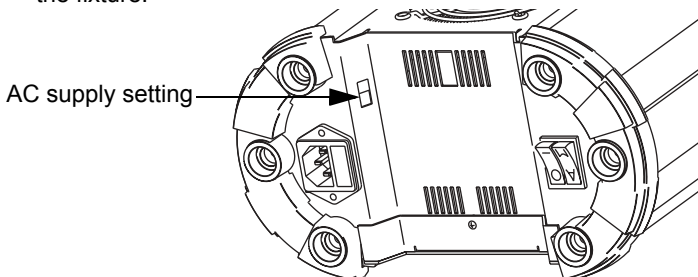
Configuring for local mains power

The Mania EF1 has a switch-selectable power supply that can operate in the following voltage ranges at 50-60 Hz:

- 115 - 120 volts (setting 115)
- 220 - 240 volts (setting 230)

Warning *Do not operate the fixture on a power supply that falls outside of these ranges.*

Select the operating range using the red AC supply switch at the rear of the fixture.



Installing a plug on the mains lead

Warning! *For protection from dangerous electric shock, the fixture must be grounded (earthed). The AC mains supply shall have overload and ground-fault protection.*

Important! *Verify that the feed cables are undamaged and rated for the current requirements of all connected devices before use.*

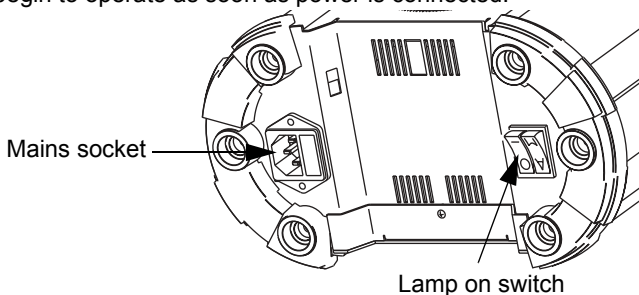
The fixture's mains lead may require a grounding-type cord cap that fits your power distribution cable or outlet. Consult a qualified electrician if you have any doubts about proper installation.

Following the cord cap manufacturer's instructions, connect the appropriate wires to ground (earth), live, and neutral. The following table below shows some common wire identification schemes.

| Function | Wire (EU) | Wire (US) |
|----------|--------------|-----------|
| live | brown | black |
| neutral | blue | white |
| ground | yellow/green | green |

Applying power

- 1 Connect the mains power cable to the fixture at the 3-prong IEC male input socket at the rear of the fixture. The mirror-reflector in the fixture will begin to operate as soon as power is connected.



- 2 Turn the lamp on using the lamp-on switch.

OVERHEAD MOUNTING

The Mania EF1 is designed to be hung overhead with a clamp (not included).

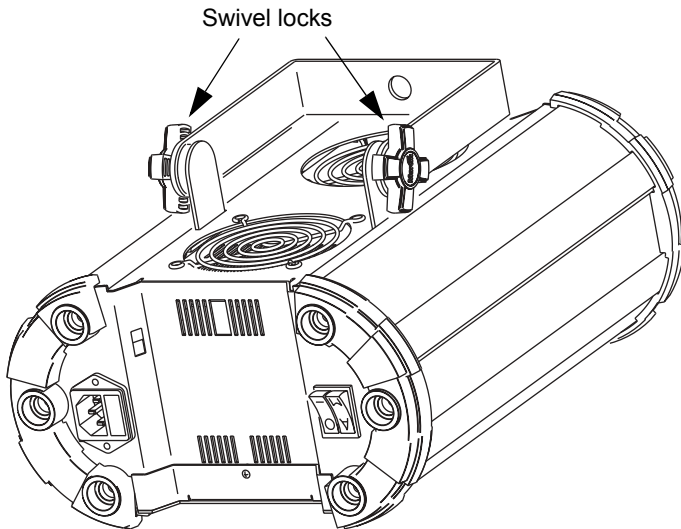
Warning! *Block access below the work area before proceeding.*

Always use a secure means of secondary attachment.

For indoors use only.

To hang the Mania EF1 on an overhead support:

- 1 Verify that the structure can support at least 10 times the weight of all installed fixtures, clamps, cables, auxiliary equipment, and other items.
- 2 If hanging the fixture with a rigging clamp, verify that the clamp is undamaged and is designed for the fixture's weight. Bolt the clamp securely to the mounting bracket on the fixture with a grade 8.8 (minimum) M12 bolt and lock nut, or as recommended by the clamp manufacturer, through the clamp hole in the mounting bracket.
- 3 If permanently installing the fixture, verify that the hardware (not included) and mounting surface can bear at least 10 times the fixture's weight.
- 4 Working from a stable platform, clamp or fasten the fixture to the structure.
- 5 Install a safety cable that can hold at least 10 times the weight of the fixture through the mounting bracket of the fixture.
- 6 Loosen the swivel locks, tilt the fixture to the desired angle, and retighten.



- 7 Verify that the fixture is at least 1 meters (3.3 ft.) from the surface to be illuminated and at least 0.3 meters (1 ft.) from any combustible materials. Verify that the clearance around the air vents is at least 0.1 meters (4 in.).

OPERATION

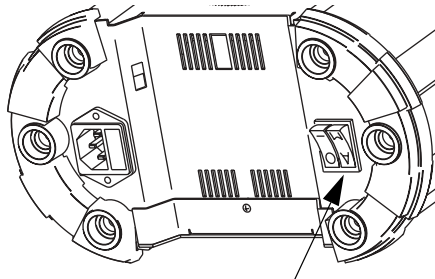
3

The mirror-reflector inside the Mania EF1 will rotate whenever power is connected. The lamp will light when the lamp-on switch at the back of the fixture is turned on.

To achieve optimal results the use of smoke effects together with your Mania EF1 is recommended.

SETTING THE TRIG MODE

Use the switch on the back of the fixture to set it to Auto or Music trig mode.



Trigger mode switch

In:

- Auto Trig mode trigger signals are generated randomly. This will result in unsynchronized operation that is not in time with music.
- Music Trig mode the built-in microphone will generate trigger signals as a result of sounds that it picks up. This will result in synchronous effects in time with any music that is being played.

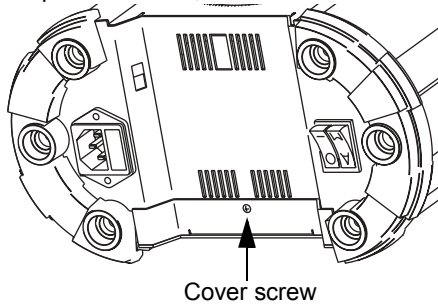
CHANGING THE SELECTED GOBO

The Mania EF1 contains the following gobo wheel.

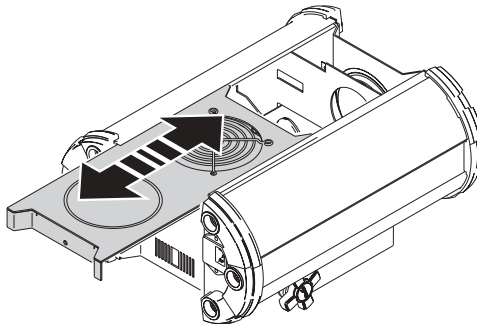


To change the selected gobo:

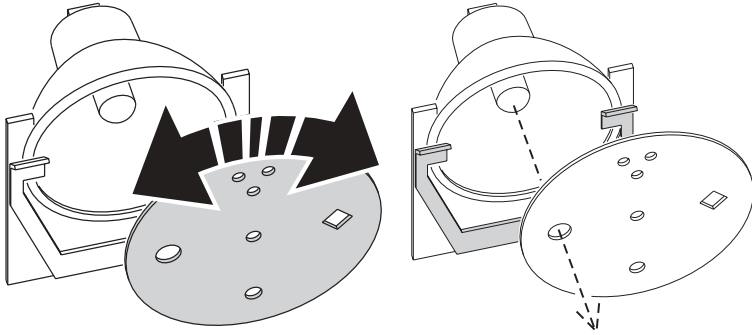
- 1 Disconnect the fixture from power and allow it to cool for 20 minutes.
- 2 Using a Phillips screwdriver, remove the screw holding the cover in place.



- 3 Slide the fixture cover out.



- 4 The gobo wheel can be found just in front of the bulb. Rotate the desired gobo into the optical path.

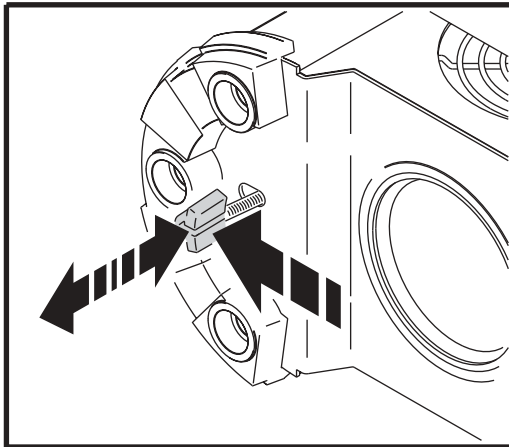


Note: The gobo wheel shown here is for illustrative purposes and does not match the actual wheel supplied

- 5 Slide the fixture cover back into place.
- 6 Replace and tighten the Phillips screw that holds the cover in place.
- 7 Re-apply power to the fixture.

FOCUSING THE MANIA EF1

The focus is adjusted using the mechanism next to the lens. This is easiest to do in Music Trig mode while no music is being played. Pull the mechanism out, or push it in, until a sharp image is acquired.



BASIC SERVICE

This chapter describes the maintenance procedures that you can perform yourself.

Warning *The exterior of the fixture can become hot. Always disconnect the fixture from AC power and allow to cool for at least 20 minutes before handling or opening.*

CLEANING

Regular cleaning of the elements in the optical path, as well as the air vents, is vital to maintaining the operational quality of the Mania EF1.

Important! *Excessive dust, smoke fluid, and particulate buildup degrades performance and causes overheating and damage to the fixture that is not covered by the warranty.*

Cleaning the air vents

To maintain adequate cooling, dust must be cleaned from the air vents periodically. Remove dust from the air vents with a soft brush, cotton swab, vacuum, or compressed air.

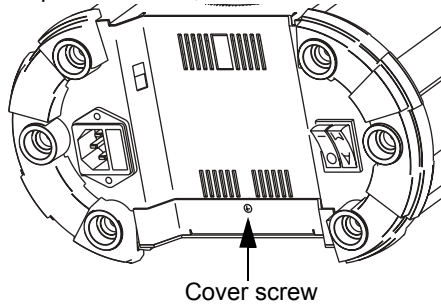
Cleaning optical components

Clean the optical components regularly. The presence of smudges or dust on optical surfaces can reduce the strength of the light output and the quality of the effects.

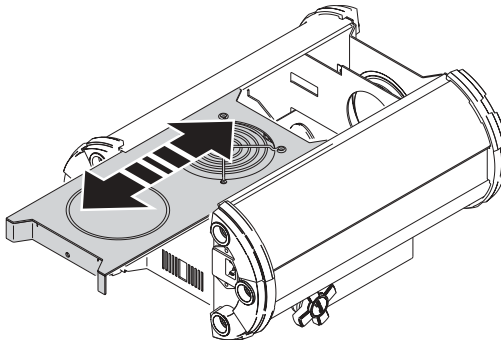
Use care when cleaning optical components and work in a clean, well lit area. The coated surfaces are fragile and easily scratched. Do not use solvents that can damage plastic or painted surfaces.

- 1 Disconnect the fixture from power and allow it to cool for 20 minutes.

- Using a Phillips screwdriver, remove the screw holding the cover in place.



- Slide the fixture cover open.



- Vacuum or gently blow away dust and loose particles with compressed air.
- Remove stuck particles with an unscented tissue or cotton swab moistened with glass cleaner or distilled water. Do not rub the surface: lift the particles off with a soft repeated press.
- Remove smoke, and other, residues with cotton swabs or unscented tissues moistened with isopropyl alcohol. A commercial glass cleaner may be used, but residues must be removed with distilled water. Clean with a slow circular motion from center to edge. Dry with a clean, soft and lint-free cloth or compressed air.
- Close the fixture cover and tighten the cover screw, taking care not to trap any loose wires.

LAMP MAINTENANCE

Warning *Isolate electrically before re-lamping. The lamp shall be changed if it becomes damaged or thermally deformed.*

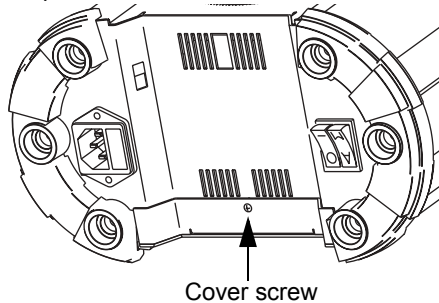
Caution *Hot lamp.*

Only the Philips 12V EFP/8H 100W (type No 6834) lamp is supported (Martin P/N 97000004). These lamps normally last for 800 hours of operation.

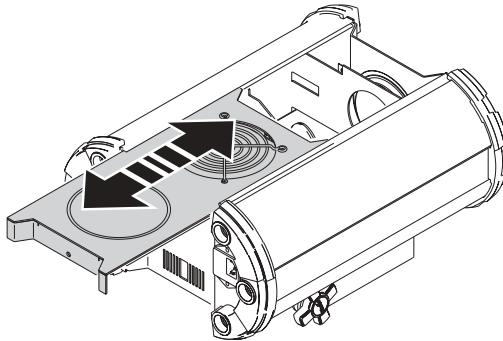
Warning *Installing any other lamp may damage the fixture!*

Installing a lamp in the Mania EF1

- 1 Disconnect the fixture from power and allow it to cool for 20 minutes.
- 2 Using a Phillips screwdriver, remove the screw holding the cover in place.

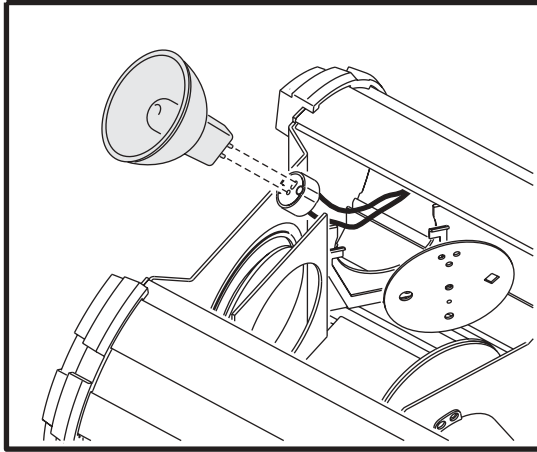


- 3 Slide the fixture cover open.



- 4 Grasp the old lamp by the reflector and slide it carefully out of the lamp holder.

- 5 Pull the socket off the lamp. Do not pull the wires.



- 6 Push the socket fully onto the pins of the new lamp.
- 7 Clean the glass bulb and reflector with a cloth, particularly if your fingers touched the glass. A clean, lint-free cloth wetted with alcohol is best.
- 8 Gently push the lamp into the holder until it snaps into place.
- 9 Close the fixture cover and tighten the cover screw.

MAINS FUSE

The Mania EF1 uses a time-delay fuse for protection against current overload. An indication that the fuse may have blown is that when power is applied and the lamp is switched on, no light is produced.

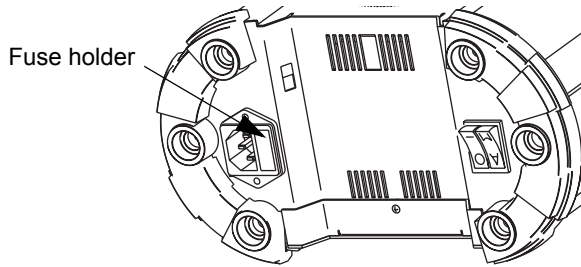
If the fuse blows repeatedly, there is a fault with the unit that requires service by a Martin technician.

Never bypass the fuse or replace it with one of another size or rating.

Replacing the main fuse

- 1 Unplug the mains cable from the input socket.

- 2 Pry open the fuse holder (located next to the mains power connector) with a flat-head screwdriver and remove the fuse.



- 3 Replace the fuse with one of the same type. The fuse rating is listed on the serial number label and in "Specifications" on page 19.
- 4 Replace the fuse holder.

TROUBLESHOOTING

5

| problem | probable cause(s) | suggested remedy |
|-----------------------|---|--|
| No light | No power to the fixture | Check connections |
| | Blown fuse | If power is applied and the lamp is switched on, but does not light, then check and replace fuse if necessary. |
| | Burned out lamp | Install new lamp |
| | Fixture too hot | Allow to cool Improve air flow around fixture |
| No action | Sound too low to activate control circuit | Increase volume Move speakers closer |
| | Electrical malfunction | Refer to a Martin service technician |
| Fuse blows repeatedly | Electrical malfunction | Refer to a Martin service technician |

SPECIFICATIONS



PHYSICAL

Size without mounting bracket (LxWxH) . . . 312 x 250 x 142mm (12.3 x 9.8 x 14.2in)
Weight 6.5 kg (14.3lb)

CONSTRUCTION

Housing steel and aluminum

THERMAL

Exterior surface temperature under steady state condition 100°C (212°F)
Time required to cool before handling at least 20 minutes
Maximum ambient temperature (T_a) 40° C (104°F)

INSTALLATION

Minimum distance to flammable material 0.3 m (1ft)
Minimum distance to illuminated surface 1.0 m (3.3ft)
Minimum clearance around air vents 0.1 m (4in)

CONTROL AND PROGRAMMING

Stand-alone triggers music or auto

ELECTRICAL

Input 3-prong IEC male socket
AC Power . . . switch selectable, operating ranges 115-120 V / 220-240 V, 50-60 Hz
Main fuse 2 AT (time delay),

TYPICAL POWER AND CURRENT

120 V, 50 Hz 117 W, 1 A
120 V, 60 Hz 115 W, 1 A
230 V, 50 Hz 107 W, 0.5 A
230 V, 60 Hz 107 W, 0.5 A
240 V, 50 Hz 116 W, 0.5 A
240 V, 60 Hz 115 W, 0.5 A

INCLUDED ITEMS - US VERSION

2 m (6.5 ft) US mains cable 18AWG with US male connector (UL approved)
Philips 12V EFP/8H 100W lamp
User manual

INCLUDED ITEMS - NON-US VERSION

3 m (9.8 ft) EU mains cable 3x1.0mm² with Schuko male connector
3 m (9.8 ft) EU mains cable 3x1.0mm² with no male connector
Philips 12V EFP/8H 100W lamp
User manual

ACCESSORIES

Philips 12V EFP/8H 100W lamp P/N 97000004
Half-coupler clamp P/N 91602005
Fuse (2 AT) P/N 05020009

ORDERING INFORMATION

Mania EF1 US version P/N 90430001
Mania EF1 non-US version P/N 90430000

Martin

www.martin.dk • Olof Palmes Allé 18 • 8200 Aarhus N • Denmark
Tel: +45 8740 0000 • Fax +45 8740 0010